



All images displayed in this document are for illustrative purposes only.

## Specification Guide

# FSR 140.26 / 120.26

# FSD 140.26 / 120.26

### Weight Rating

**GVM** 14,000 / 12,000 kg

**GCM** 17,500 / 15,500 kg

### Engine

**Power** 191 kW @ 2,070 rpm

**Torque** 883 Nm @ 1000 - 2070 rpm

### Transmission

6 speed Allison automatic transmission (AT)

### Wheelbase

3,790 mm

4,660 mm

6,150 mm

6,560 mm

### Key Features

- ADR 80/04 (Euro VI) Compliant
- Advanced Emergency Braking (AEB)
- Lane Departure Warning (LDW)
- Full Speed Adaptive Cruise Control (FACC)
- Electronic Stability Control (ESC)
- ECE-R29 cab with side anti-intrusion beams
- Isri 6860/875 NTS2 Air Suspension Driver's Seat
- Bi-LED Headlamps with Daytime Running Lamps

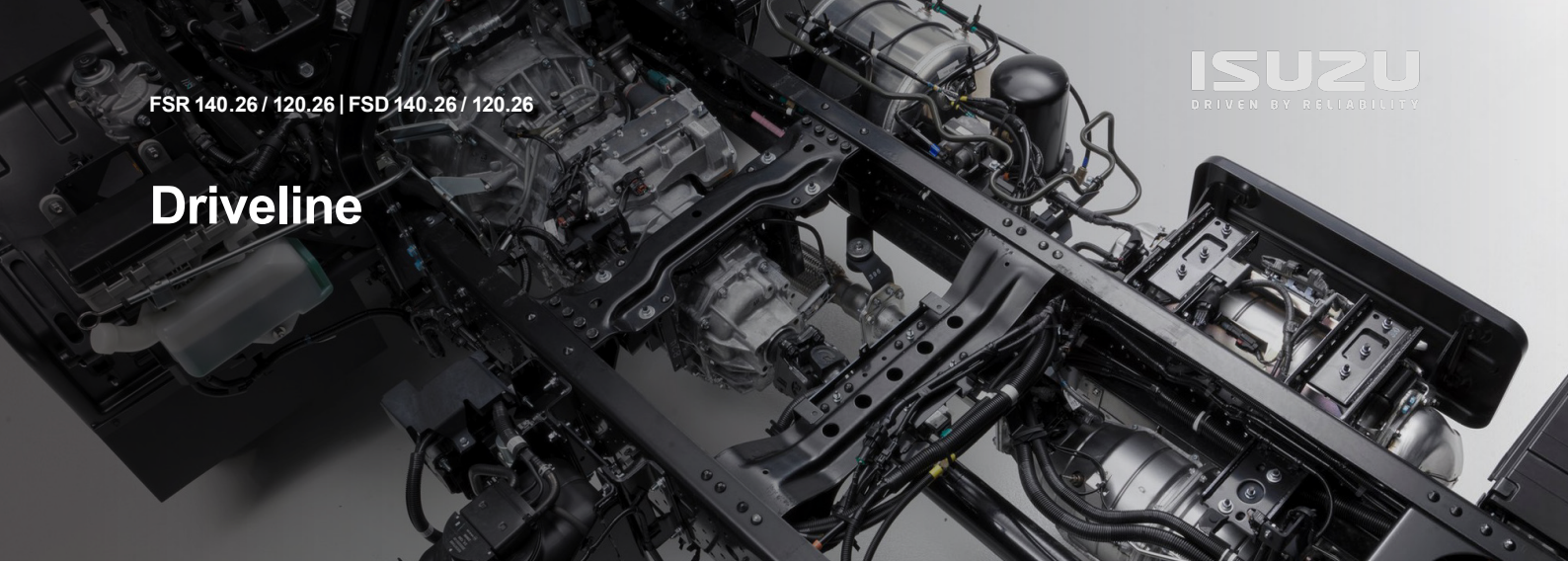


### Truck Finder

Scan to search, view and download full spec sheets for all Isuzu truck models.

**ISUZU**  
TRUCKS

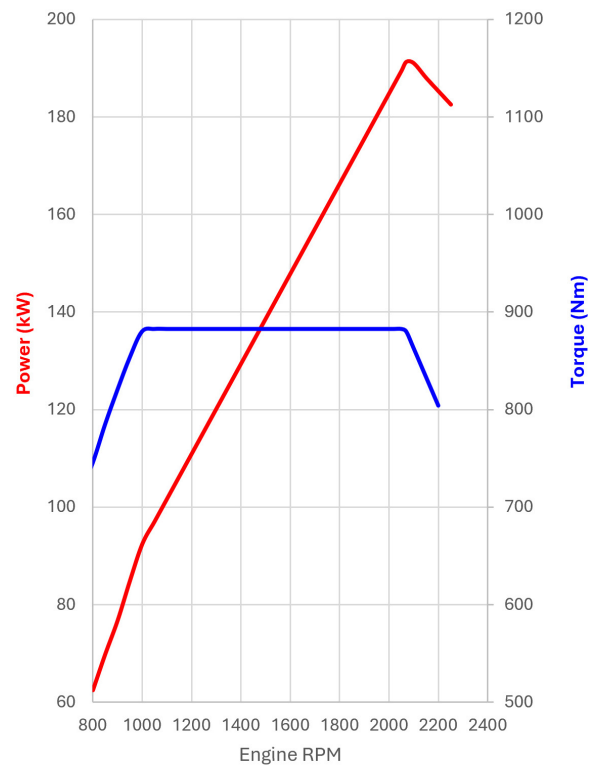
# Driveline



## Engine

<b>Description</b>	Isuzu DB6A-TCN
<b>Type</b>	6 cylinder
<b>Power</b>	191 kW (260PS) @ 2,070 rpm
<b>Torque</b>	883 Nm @ 1,000 - 2,070 rpm
<b>Displacement</b>	6,690 cc
<b>Bore x Stroke</b>	107 mm x 124 mm
<b>Induction</b>	Turbocharger with air-to air intercooler
<b>Fuel Injection</b>	Direct injection high pressure common rail system
<b>Emission Standard</b>	ADR 80/04 (Euro VI) compliant
<b>Emission Control</b>	SCR (Selective Catalytic Reduction) DPD (Diesel Particulate Diffuser)
<b>Auxiliary Brake</b>	Engine Compression Brake (I-Brake)

## DB6A-TCN 260PS Euro-VI



## Transmission

Description: Allison LCT2500 GEN 6

Type: 6 speed automatic

### Ratios:

AT	1	2	3	4	5	6	REV
	3.51	1.9	1.44	1	0.74	0.64	5.09

**Power Take Off Facility:** LHS and RHS PTO openings on transmission case. Torque converter turbine driven PTO drive gear.

# Technology & Equipment

## Intelligent Safety

<b>ACTIVE SAFETY</b>	Advanced Emergency Braking (AEB)
	Adaptive Driving Beam (ADB)
	Anti Lock Braking System (ABS)
	Anti Skid Regulator (ASR)
	Attention Alert System (AAS)
	Auto Lighting System (ALS)
	Cab Tilt Warning (CTW)
	Customisable Speed Limiter (CSL)
	Distance Warning System (DWS)
	Electronic Stability Control (ESC)
	Forward Collision Warning (FCW)
	Full Speed Adaptive Cruise Control (FACC)
	Intelligent Speed Limiter (ISL)
	Lane Departure Warning (LDW)
Traffic Movement Warning (TMW)	
Traffic Sign Recognition (TSR)	
<b>PASSIVE SAFETY</b>	Door Mounted Cornering Lamps
	Driver and Front Left Hand Passenger Seatbelt Pretensioners
	Driver and Front Passenger Airbags
	ECE-R29 Cab with Side Anti-Intrusion Beams
<b>CABIN OCCUPANT SAFETY SYSTEMS (COSS)</b>	Overhead storage compartments with doors.

## Accessories

<b>Protection</b>	Isuzu Genuine Bull Bar	●
	Isuzu Seat Covers	●
	Isuzu Floor Mats	●
	Isuzu Dash Mats	●
	Isuzu Weathershields	●
	Isuzu Mudflaps	●
<b>Technology</b>	Isuzu Cameras	●
<b>Aerodynamics</b>	Air Deflectors	●
	Warning Triangles	●
<b>Safety</b>	Wheel Nut Indicators	●
	Signage	●

● Fitted as Standard      ● Option to Fit

Some options are provided via 3rd party retailer. Please discuss with your local Isuzu dealer.

# Cabin Features

## General Features

<b>Engine Access</b>	Manual cab tilt to 45° with torsion bar assistance
<b>Steps</b>	Heavy duty anti slip steps
<b>Doors</b>	70° opening internally reinforced front doors
<b>Mirrors</b>	Heated & powered exterior main mirrors with flat glass and additional independently adjustable convex “spot” mirrors
<b>Wipers</b>	Auto windshield wiper system, wet wipers
<b>Exterior Lighting</b>	BI-LED Headlamps with Adaptive Driving Beam (ADB) and Daytime Running Lamps
	Roof mounted clearance lamps
	Front LED foglamps LED tail lamps
<b>Audible Warning</b>	Reverse alarm
<b>Front Bumper</b>	3-piece resin, body coloured
<b>Security</b>	Passive Entry and Start System (PESS) with remote central locking and immobiliser

## Premium Isuzu Audio Visual Unit

<b>Connectivity</b>	Bluetooth
	USB socket
	WiFi with over-the-air updates
	Input for up to 6 High Definition (HD) cameras (available accessory)
<b>Radio</b>	AM / FM
<b>Screen Type</b>	8” High Definition with capacitive touch
<b>Smartphone Integration +</b>	Wireless Apple CarPlay®
	Wireless Android Auto™
	Wi-Fi connectivity
<b>Navigation</b>	Provided via smartphone application

CarPlay is a trademark of Apple Inc.  
Android Auto is a trademark of Google LLC.



## Cabin Interior

<b>Air Conditioning</b>	Auto control
<b>Door Windows</b>	Electric control
<b>Entry Assist Grips</b>	Door and roof pillar mounted
<b>Interior Lighting</b>	LED door open lamp. Bright LED room lamp
<b>Power Outlet</b>	24V cigarette lighter
<b>Seatbelts</b>	3-point lap sash seatbelts in all outboard seating positions. Centre seat lap belts.
<b>Seating</b>	Isri 6860/875 NTS2 air suspension driver's seat with heating and ventilation
	LH passenger bucket seat, plus centre seat with folding seat back and storage compartment.
<b>Steering Column</b>	Tilt / telescopic adjustable
<b>Storage</b>	Overhead compartments, two cup holders, front door pockets.

## Driver Control

	Full speed adaptive cruise control
<b>Engine</b>	DPD manual regeneration switch
	Idle speed control
<b>General Controls</b>	Auto windshield wiper system, wet wipers, washers, engine brake and turn signals
<b>Safety Systems</b>	AEB on/off, DWS on/off/sensitivity adjust, LDW on/off/sensitivity adjust, TMW on/off, ESC&ASR on off, headlamps and ALS on/off.
<b>Steering Wheel Controls</b>	Multi Information Display controls
	Audio Visual volume control
	Audio Visual seek controls
	Phone control ADAS controls

## Instrumentation

<b>General Instrumentation</b>	Digital odometer with integrated dual tripmeters
	Engine coolant temperature and fuel level gauges
	Speedometer and tachometer
	Adjustable vehicle speed warning
<b>Multi Information Display</b>	AEB, FCW, DWS, LDW, TMW systems activation alerts
	Hourmeter
	Low fuel and AdBlue level alerts.
	Auto windshield wiper system mode
	Vehicle systems status

# Chassis

## Steering

<b>Type</b>	Power assisted recirculating ball
<b>Turns Lock To Lock</b>	4.10
<b>Lock Angle Inside</b>	44 °
<b>Lock Angle Outside</b>	34 °

## Suspension

<b>Front</b>		Single stage alloy steel taper leaf spring
		Double acting hydraulic shock absorbers. Stabiliser bar.
<b>Rear</b>	<b>FSR</b>	<b>Type:</b> Multi-leaf main spring, multi-leaf helper spring
		<b>Description:</b> Hendrickson HAS200
	<b>FSD</b>	<b>Type:</b> Airbag
		<b>Capacity:</b> 9,000 kg at ground

## Fuel Tank

	<b>Type:</b> Frame mounted steel tank
<b>Diesel Tank</b>	<b>Maximum capacity<sup>2</sup>:</b> 140 L (R38), 200 L (R47, R62, R66)
	<b>Fuel cap:</b> Lockable cap
<b>AdBlue® Tank</b>	<b>Type:</b> Frame mounted high-density polyethylene tank
	<b>Maximum capacity<sup>2</sup>:</b> 65 L

## Electrical Systems

<b>Type</b>	24 volt
<b>Alternator</b>	90 amp
<b>Battery</b>	2 x 115E41L (651 CCA) batteries connected in series
<b>CAN Bus provision</b>	FMS Provision

## Chassis Frame

<b>Type</b>	Cold rivetted ladder frame
<b>Material</b>	HT620 steel side members
<b>Dimensions</b>	<b>Side rail (mm):</b> 70 x 234 x 7.0 <b>Rear frame width (mm):</b> 840

## Axles

<b>Front</b>	<b>Description:</b> Isuzu F050
	<b>Type:</b> Reverse Elliot I-beam
	<b>Capacity:</b> 5,000 kg
<b>Rear</b>	<b>Description:</b> Isuzu R090
	<b>Type:</b> Single drive
	<b>Capacity:</b> 9,000 kg
	<b>Ratio:</b> 4.875

## Wheels & Tyres

<b>Front</b>	<b>Wheels:</b> 19.5 x 6.75 eight stud ISO standard. Steel wheels (except AWH model), Alcoa aluminium wheels (AWH model).
	<b>Tyres:</b> 265/70R19.5 140/138M
	<b>Steer axle tyre rating:</b> 5,000 kg
<b>Rear</b>	<b>Wheels:</b> 19.5 x 6.75 eight stud ISO standard. Steel wheels (except AWH model), Alcoa aluminium wheels (AWH model).
	<b>Tyres:</b> 265/70R19.5 140/138M
	<b>Rear axle tyre rating:</b> 9,440 kg

## Brakes

<b>Type</b>	Full Air dual circuit drum brakes front and rear with EBS
<b>Diameter Front</b>	370 mm
<b>Diameter Rear</b>	370 mm
<b>Park Brake</b>	Spring park brake acting on all rear wheels

# Weights & Dimensions

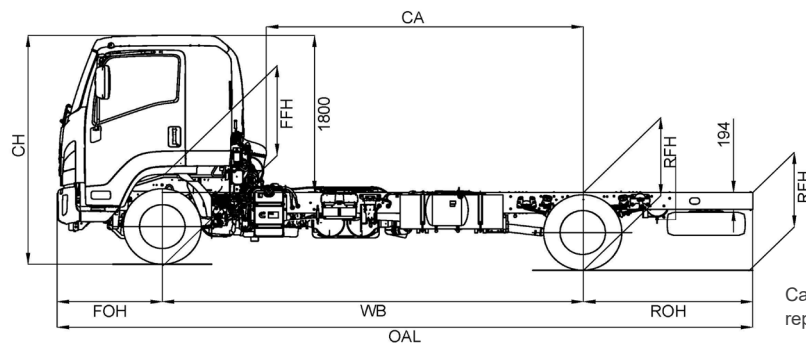
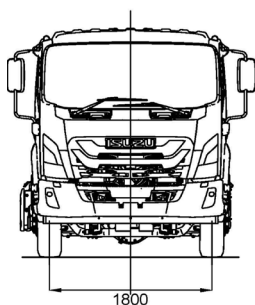
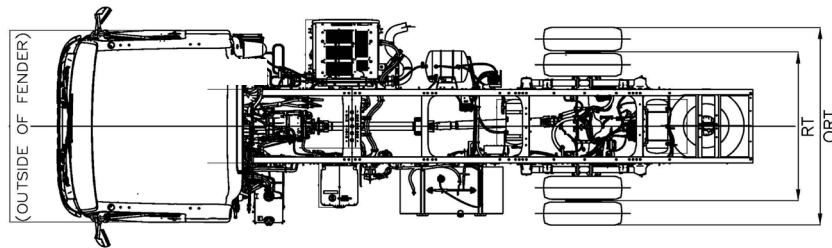
## Weights (kg)

Models	Ratings <sup>3</sup>		Loading Limit <sup>3</sup> (at ground)		Cab Chassis Weight <sup>4</sup>			Model Code
	GVM	GCM	Front	Rear	Front	Rear	Total	
FSR 140.26 AT R38	14,000	17,500	5,000	9,000	2,550	1,530	4,080	FS2661
FSR 120.26 AT R38	12,000	15,500	5,000	9,000	2,550	1,530	4,080	FS2660*
FSR 140.26 AT R47	14,000	17,500	5,000	9,000	2,645	1,575	4,220	FS2665
FSR 120.26 AT R47	12,000	15,500	5,000	9,000	2,645	1,575	4,220	FS2664*
FSR 140.26 AT R62	14,000	17,500	5,000	9,000	2,745	1,600	4,345	FS2667
FSR 120.26 AT R62	12,000	15,500	5,000	9,000	2,745	1,600	4,345	FS2666*
FSR 140.26 AT R66	14,000	17,500	5,000	9,000	2,800	1,580	4,380	FS2673
FSR 120.26 AT R66	12,000	15,500	5,000	9,000	2,800	1,580	4,380	FS2672*
FSD 140.26 AT R62	14,000	17,500	5,000	9,000	2,740	1,680	4,420	FS2669
FSD 120.26 AT R62	12,000	15,500	5,000	9,000	2,740	1,680	4,420	FS2668*
FSD 140.26 AT R62 AWH	14,000	17,500	5,000	9,000	2,720	1,640	4,360	FS2671
FSD 120.26 AT R62 AWH	12,000	15,500	5,000	9,000	2,720	1,640	4,360	FS2670*

\*De-rated model code. Dealer should order original model code and request de-rate upon arrival

## Dimensions (mm)

Models	WB	OAL	FOH	ROH	CA	RT	ORT	CH	FFH (Unladen)	RFH (Unladen)	EFH (Unladen)	Turning Circle Kerb to Kerb (m) <sup>5</sup>
FSR 140/120.26 AT R38	3,790	6,550	1,165	1,595	2,640	1,705	2,260	2,615	814	889	920	13.56
FSR 140/120.26 AT R47	4,660	7,700	1,165	1,875	3,510	1,705	2,260	2,613	812	888	919	16.67
FSR 140/120.26 AT R62	6,150	9,740	1,165	2,425	5,000	1,705	2,260	2,611	810	887	917	22.00
FSR 140/120.26 AT R66	6,560	10,700	1,165	2,975	5,410	1,705	2,260	2,609	809	887	923	23.47
FSD 140/120.26 AT R62	6,150	9,740	1,165	2,425	5,000	1,705	2,260	2,611	810	858	877	22.00
FSD 140/120.26 AT R62 AWH	6,150	9,740	1,165	2,425	5,000	1,705	2,260	2,611	811	858	877	22.00



Cab Chassis drawing not representative of model

# Service & Support



## Dealer Network

<b>Service &amp; Support</b>	National Isuzu Truck Dealer Network and Accredited Service Centres
	<a href="#">Find a Dealer Online</a>

Find your local dealer  
Scan QR Code



## Warranty#

<b>Chassis</b>	5 Year Warranty# 300,000 km#
<b>Genuine Parts &amp; Accessories</b>	2 Year Warranty or 50,000km# (When installed by an Isuzu Trucks Approved Dealership - Including Labor)

# Total 5 Year Warranty, including Base Warranty (36 months / 150,000kms) and Additional Warranty (24 months / 150,000kms), cover is 60 months or 300,000kms, whichever comes first. To qualify for Additional Warranty, all scheduled servicing during the Base and Additional Warranty periods (ie. the total 60 months) must be performed by an authorised Isuzu service dealer from the date of delivery to the first customer. If scheduled servicing is performed by unauthorized service providers, only the Base Warranty will apply. Tipper bodies are excluded from Additional Warranty. These are covered by Base Warranty only.

<sup>2</sup> As shown on fuel tank. Volume of fuel that can be added to a near-empty tank will vary according to operating conditions.

<sup>3</sup> Vehicle ratings and axle weight limits are subject to government regulatory requirements and weight distribution analysis. Consult your Isuzu dealer to select the correct vehicle for your specific application.

<sup>4</sup> Cab chassis only as supplied and including 100% fuel, 100% AdBlue, tools, and spare wheel (if applicable).

<sup>5</sup> Turning circle dimensions are based on manufacturers calculations and may vary under real-world conditions.

The information in this spec sheet was correct at time of printing, but all measurements, specifications and equipment are subject to change without notice. Some equipment may have been changed and/or is available at extra cost. Isuzu New Zealand (INZ) may make changes at any time without notice, in prices, colours, materials, equipment and models. INZ makes all reasonable attempts to ensure the availability of all vehicles and equipment. The information in this spec sheet is general in nature. Your Isuzu dealer can confirm all measurements, specifications and vehicle / equipment availability upon request. To the extent permitted by the law, INZ is not liable to any person as result of reliance on the content of this spec sheet.

<sup>^</sup> Advance Driver Assistance Systems are intended to support the driver but are not a replacement for safe driving practices.

\*Smartphone Integration compatible with selected apps and the latest smartphone versions of iOS and Android. Active data service is required for some functionality. For USB connections, a connection cable is sold separately.

NOTE: This specsheet is PRELIMINARY ONLY. Additional specifications will be added at a later date. Existing specifications may change.

