



All images displayed in this document are for illustrative purposes only.

Specification Guide

NPS 75.17 / 59.17 4X4

Weight Rating

GVM 7,500 kg / 5,995 kg

GCM 11,000 kg

Engine

Power 129 kW @ 2,680 rpm

Torque 460 Nm @ 1,500 - 2,680 rpm

Transmission

6 speed manual transmission (MT)

Wheelbase

3,395 mm

Key Features

- ADR 80/04 (Euro VI) Compliant
- Anti Lock Braking System (ABS)
- Automatic Lighting System (ALS)
- Bi-LED Headlamps with Daytime Running Lamps
- ECE-R29 cab with side anti-intrusion beams
- Electronic Stability Control (ESC)
- Electric Park Brake (EPB) with Auto Brake Hold
- Driver Suspension Seat (Day Cab)

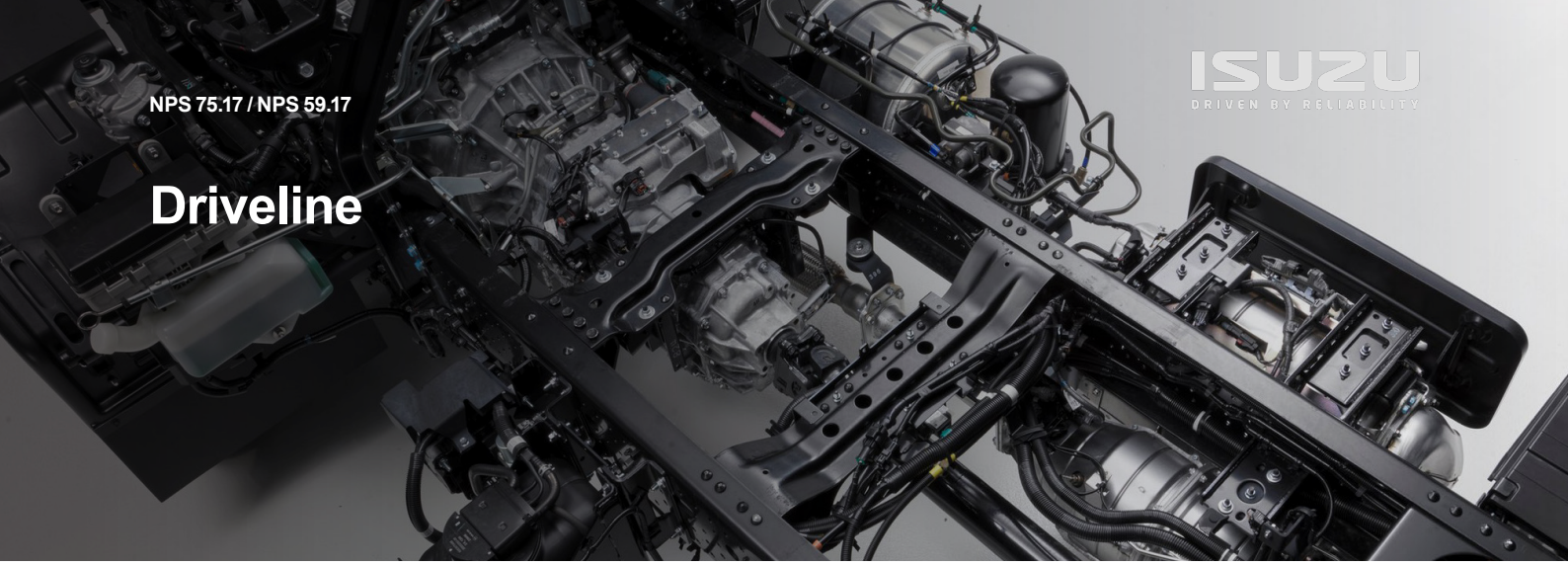


Truck Finder

Scan to search, view and download full spec sheets for all Isuzu truck models.

ISUZU
TRUCKS

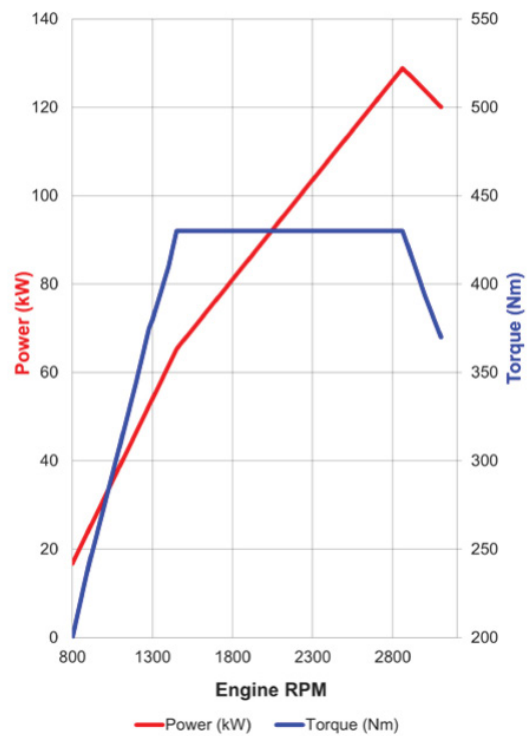
Driveline



Engine

Description	Isuzu 4JZ1-TCH
Type	4 cylinder
Power	129 kW (175PS) @ 2,680 rpm
Torque	460 Nm @ 1,500 - 2,680 rpm
Displacement	2,999 cc
Bore x Stroke	95.4 mm x 104.9 mm
Induction	Electronically controlled variable nozzle turbocharger with air to air intercooler.
Fuel Injection	Direct injection high pressure common rail system
Emission Standard	ADR 80/04 (EuroVI-C) compliant
Emission Control	SCR (Selective Catalytic Reduction) DPD (Diesel Particulate Diffuser) EGR (Exhaust Gas Recirculation)
Auxiliary Brake	Vacuum controlled exhaust brake

4JZ1-TCH 175PS pPNLT



Transmission

Description:	ISUZU MZZ-6F
Type:	6 speed manual with synchromesh on gears 1 - 6
Ratios:	
MT	
	1 2 3 4 5 6 REV
	6.36 3.76 1.96 1.35 1.00 0.78 6.36
Power Take Off Facility:	Provision on LHS of transmission case. Drive from counter gear.
Gearbox Transfer	Type: Part Time 4WD Ratio: High 1.000 Low 2,140

Clutch

MT	Type: Single plate with auto adjusting hydraulic control and vacuum assistance
	Clutch Plate Diameter: 325 mm

Technology & Equipment

Intelligent Safety

ACTIVE SAFETY

Anti Lock Braking System (ABS)

Automatic Lighting System (ALS)

Anti Skid Regulator (ASR)

Cab Tilt Warning (CTW)(Day Cab)

Electronic Stability Control (ESC)

Electronic Park Brake (EPB)

Cruise Control (CC)

PASSIVE SAFETY

Driver and Front Left Hand Passenger Seatbelt Pretensioners

CABIN OCCUPANT SAFETY SYSTEMS (COSS)

Driver and Front Passenger Airbags

ECE-R29 Cab with Side Anti-Intrusion Beams

Accessories

Protection

Isuzu Genuine Bull Bar ●

Isuzu Seat Covers ●

Isuzu Floor Mats ●

Isuzu Dash Mats ●

Isuzu Mudflaps ●

Technology

Isuzu Cameras ●

Aerodynamics

Air Deflectors ●

Warning Triangles ●

Safety

Wheel Nut Indicators ●

Signage ●

● Fitted as Standard

● Option to Fit

Some options are provided via 3rd party retailer. Please discuss with your local Isuzu dealer.

Cabin Features

General Features

Audible Warning	Reverse alarm
Engine Access	Access hatch under driver's seat and tiltable front passenger seat (Crew cab) Manual cab tilt to 45° with torsion bar assistance (Day cab)
Steps	Heavy duty anti slip steps
Mirrors	Pillar mounted heated mirrors with electric folding (manual mirror adjustment)
Wipers	Two speed windscreen wipers with intermittent wipe mode
Exterior Lighting	BI-LED Headlamps with LED Daytime Running Lamps (DRL) LED tail lamps
Front Bumper	3-piece resin, body coloured
Security	Remote central locking and immobiliser

Premium Isuzu Audio Visual Unit

Connectivity	Bluetooth USB socket WiFi with over-the-air updates Input for up to 6 High Definition (HD) cameras (available accessory)
Radio	AM / FM
Screen Type	8" High Definition with capacitive touch
Smartphone Integration*	Wireless Apple CarPlay® Wireless Android Auto™ Wi-Fi connectivity
Navigation	Provided via smartphone application

CarPlay is a trademark of Apple Inc.
Android Auto is a trademark of Google LLC.



Cabin Interior

Air Conditioning	Auto climate control
Door Windows	Electric control
Entry Assist Grips	Door and roof pillar mounted
Interior Lighting	LED lamp
Power Outlet	24V cigarette lighter
Seatbelts	3-point lap sash seatbelts in all outboard seating positions. Centre seat lap belts. Driver's bucket seat equipped with mechanical suspension and weight adjustment to 130kg (Day cab)
Seating	Driver's bucket seat (Crew cab) Passenger benchseat with 2 seat capacity Rear bench seat with 4 seat capacity (Crew Cab)
Steering Column	Tilt / telescopic adjustable
Storage	Overhead cabinet, two cup holders, door pockets

Driver Control

Engine	DPD manual regeneration switch Idle speed control
General Controls	Windscreen wipers (2 speed and intermittent modes), washers, exhaust brake, turn signals
Steering Wheel Controls	Multi Information Display controls Audio Visual volume control Audio Visual seek controls Phone control

Instrumentation

General Instrumentation	Digital odometer with integrated dual tripmeters Engine coolant temperature and fuel level gauges Speedometer and tachometer Adjustable vehicle speed warning Fuel consumption information
Multi Information Display	CTW indicator Hourmeter Vehicle systems status

Chassis

Steering

Type	Power assisted rack and pinion
Turns Lock To Lock	3.70
Lock Angle Inside	38 °
Lock Angle Outside	30 °

Suspension

Front	Type: Single stage steel multi leaf spring.
	Other Features: Double acting hydraulic shock absorbers. Stabiliser bar.
Rear	Type: Multi leaf main spring, multi leaf helper spring
	Other Features: Double acting hydraulic shock absorbers.

Fuel Tank

Diesel Tank	Type: Frame mounted steel tank
	Maximum capacity²: 140 L Fuel cap: Lockable cap
AdBlue[®] Tank	Type: Frame mounted high-density polyethylene tank
	Maximum capacity²: 14 L

Electrical Systems

Type	24 volt
Alternator	90 amp
Battery	2 x 80D26L (600 CCA) batteries connected in series
CAN Bus provision	FMS Provision

Chassis Frame

Type	Cold rivetted ladder frame
Material	HT540 steel
Dimensions	Side rail (mm): 70 x 230 x 5.0 Rear frame width (mm): 850

Axles

Front	Description: Isuzu FD031
	Type: Full floating banjo with Birfield outer joints
	Capacity: 3,100 kg
Rear	Description: Isuzu R066
	Type: Full floating banjo with four differential pinions
	Capacity: 6,600 kg
	Ratio: 6.142

Wheels & Tyres

Front	Wheels: 17.5 x 6.0 six stud steel wheels
	Tyres: 225/80R17.5 123/122L
	Steer axle tyre rating: 3,100 kg
Rear	Wheels: 17.5 x 6.0 six stud steel wheels
	Tyres: 225/80R17.5 123/122L
	Rear axle tyre rating: 6,000 kg

Brakes

Type	Ventilated disc/disc with dual circuit hydraulic control, and integrated boost assist
Diameter Front	310 mm
Diameter Rear	310 mm
Park Brake	190mm Diameter drum mounted on rear of transmission

Weights & Dimensions

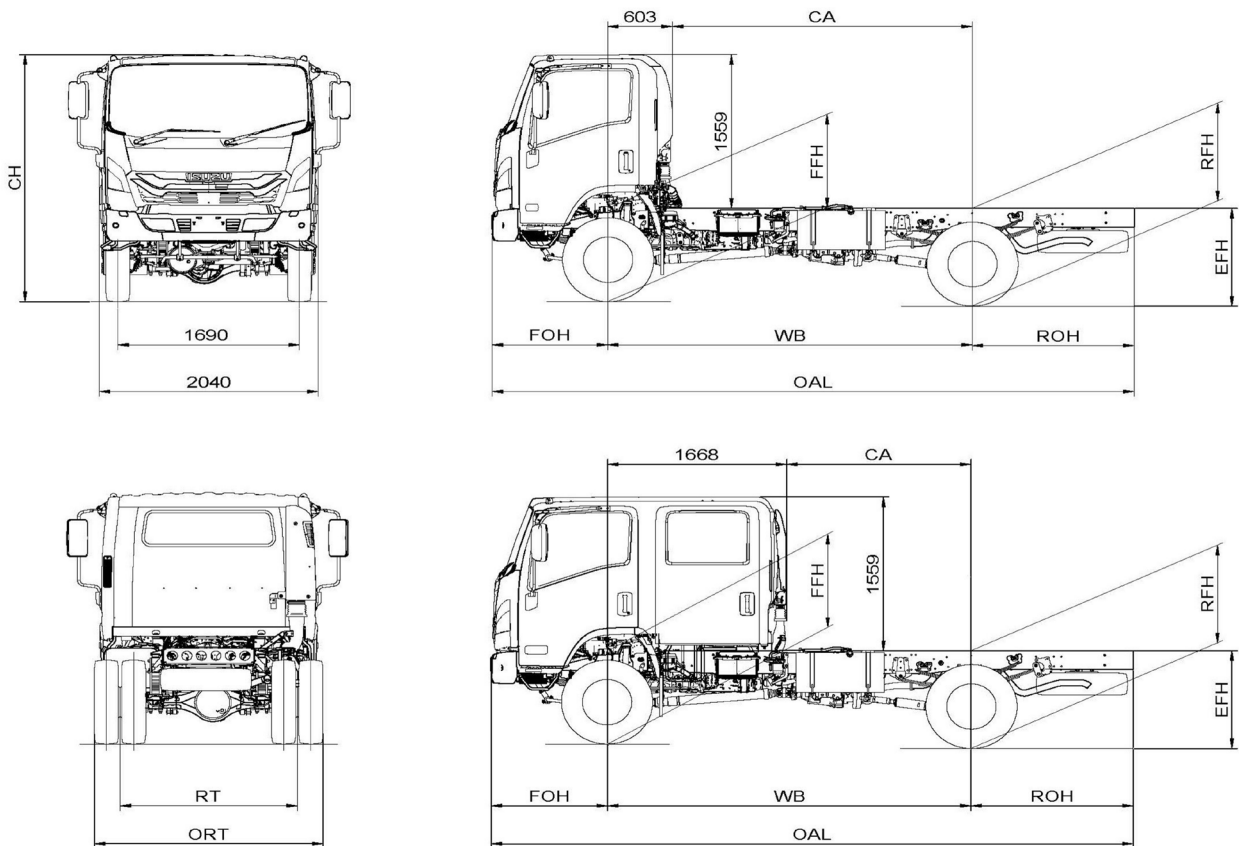
Weights (kg)

Models	Ratings ³		Loading Limit ³ (at ground)		Cab Chassis Weight ⁴			Model Code
	GVM	GCM	Front	Rear	Front	Rear	Total	
NPS 75.17 MT D34 4X4	7,500	11,000	3,100	6,000	1,985	1,016	3,001	NP2626
NPS 59.17 MT D34 4X4	5,995	11,000	3,100	6,000	1,985	1,016	3,001	NP2625*
NPS 75.17 MT C34 4X4	7,500	11,000	3,100	6,000	2,108	1,173	3,281	NP2628
NPS 59.17 MT C34 4X4	5,995	11,000	3,100	6,000	2,108	1,173	3,281	NP2627*

*De-rated model code. Dealer should order original model code and request de-rate upon arrival

Dimensions (mm)

Models	WB	OAL	FOH	ROH	CA	RT	ORT	CH	FFH (Unladen)	RFH (Unladen)	EFH (Unladen)	Turning Circle Kerb to Kerb (m) ⁵
NPS 75.17 / 59.17 MT D34	3,395	5,990	1,085	1,510	2,792	1,650	2,110	2,470	911	1,012	981	13.58
NPS 75.17 / 59.17 MT C34	3,395	5,990	1,085	1,510	1,762	1,650	2,110	2,464	905	1,010	978	13.58



Drawing for reference only. Refer to the Isuzu Body Builder Guide for details.

Service & Support



Dealer Network

Service & Support	National Isuzu Truck Dealer Network and Accredited Service Centres
	Find a Dealer Online

Find your local dealer
Scan QR Code



Warranty#

Chassis	3 Year Warranty# 100,000 km#
Genuine Parts & Accessories	2 Year Warranty or 50,000km# (When installed by an Isuzu Trucks Approved Dealership - Including Labor)

3 Year Warranty (36 months / 100,000kms) cover is 36 months or 100,000kms, whichever comes.
² As shown on fuel tank. Volume of fuel that can be added to a near-empty tank will vary according to operating conditions.
³ Vehicle ratings and axle weight limits are subject to government regulatory requirements and weight distribution analysis. Consult your Isuzu dealer to select the correct vehicle for your specific application.
⁴ Cab chassis only as supplied including 90% fuel and tools/spare wheel (if applicable).
⁵ Turning circle dimensions are based on manufacturers calculations and may vary under real-world conditions.
 The information in this spec sheet was correct at time of printing, but all measurements, specifications and equipment are subject to change without notice. Some equipment may have been changed and/or is available at extra cost. Isuzu New Zealand (INZ) may make changes at any time without notice, in prices, colours, materials, equipment and models. INZ makes all reasonable attempts to ensure the availability of all vehicles and equipment. The information in this spec sheet is general in nature. Your Isuzu dealer can confirm all measurements, specifications and vehicle / equipment availability upon request. To the extent permitted by the law, INZ is not liable to any person as result of reliance on the content of this spec sheet.
[^]Advance Driver Assistance Systems are intended to support the driver but are not a replacement for safe driving practices.
 *Smartphone Integration compatible with selected apps and the latest smartphone versions of iOS and Android.Active data service is required for some functionality. For USB connections, a connection cable is sold separately.

