



# ISUZU

TRUCKS YOU CAN RELY ON

## SPECIFICATIONS



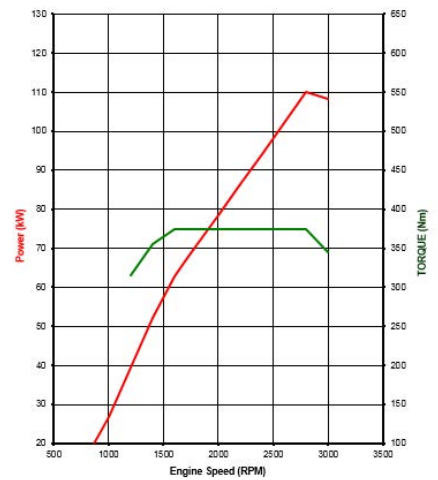
### Advanced Safety Features:

- ✓ Advanced Emergency Brake System (AEBS) with distance warning
- ✓ Electronic Vehicle Stability Control (EVSC)
- ✓ Lane Departure Warning System (LDWS)

\*AMT transmission models 8,000Kg GCM

MODEL		

ENGINE			
Engine Model		Type	
Displacement		Compression Ratio	
Max Power (DIN Nett)			
Max Torque (DIN Nett)			
Emission Control System			
Fuel System			
Air Intake System			



CLUTCH		PERFORMANCE	
			Speed Limit:

TRANSMISSION	

AXLES	

WHEELS AND TYRES	

CHASSIS			
Suspension	Chassis	Brakes	Electrical & Steering



# ISUZU

TRUCKS YOU CAN RELY ON

## SPECIFICATIONS

### CAB AND INTERIOR

Cab Exterior	Cab Interior	Instruments and Controls

### WEIGHTS (KG)

Model Codes	Models	Ratings*		Loading Limits (at ground)*		Chassis Cab Tare Mass**		
		GVM	GCM	Front	Rear	Front	Rear	Total

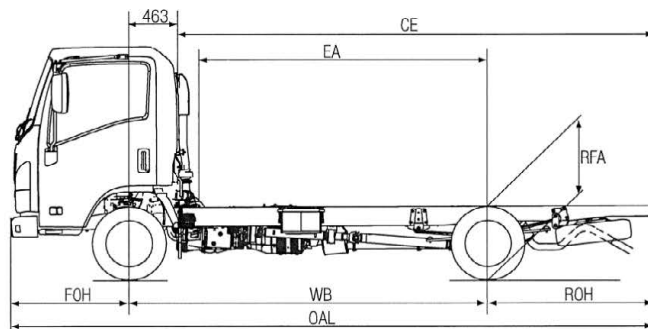
\* Vehicle ratings and front and rear mass limits are subject to regulatory requirements – Consult your dealer to select a specific vehicle to suit your requirements

\*\* Chassis cab as supplied from the factory including 10 litres of fuel

### DIMENSIONS (mm)

\*Unladen condition

Turn Circle (m)

### WARRANTY

--