

## NMR 250



### WEIGHT RATINGS

GVM	5,995 kg
GCM (with MT)	9,500 kg
GCM (with AMT)	8,000 kg

### ENGINE

POWER	110 kW @ 2,800 rpm
TORQUE	375 Nm @ 1,600 - 2,800 rpm

### TRANSMISSION

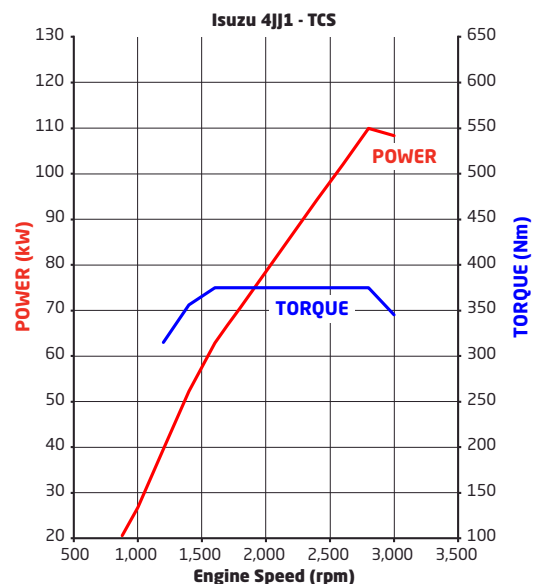
6 speed manual transmission (MT)
6 speed automated manual transmission (AMT)

\* Refer to back page for detailed weight rating information

INTELLIGENT SAFETY		
<b>ACTIVE SAFETY</b> ADVANCED DRIVER ASSISTANCE SYSTEMS (ADAS)	Advanced Emergency Braking	(AEB)
	Forward Collision Warning	(FCW)
	Distance Warning System	(DWS)
	Lane Departure Warning	(LDW)
	Traffic Movement Warning	(TMW)
	Electronic Stability Control	(ESC)
	Anti-Skid Regulator	(ASR)
	Anti-Lock Braking System	(ABS)
	Hill Start Aid (MT model only)	(HSA)
	Automatic Lighting System (Front & Rear)	(ALS)
Cab Tilt Warning (Single cab only)	(CTW)	
<b>PASSIVE SAFETY</b> CABIN OCCUPANT SAFETY SYSTEMS (COSS)	Driver and front passenger airbags	
	Driver and front left hand passenger seatbelt pretensioners	
	ECE-R29 cab with side anti-intrusion beams	
	Handsfree functions on steering wheel	
	Door mounted cornering lamps	

ISUZU WARRANTY COVER	
<b>WARRANTY</b>	5 Year / 250,00 km Warranty#

ENGINE	
<b>DESCRIPTION</b>	Isuzu 4JJ1-TCS
<b>TYPE</b>	4 cylinder 16 valve with chain driven DOHC
<b>DISPLACEMENT</b>	2,999 cc
<b>COMPRESSION RATIO</b>	17.5:1
<b>BORE X STROKE</b>	95.4 mm x 104.9 mm
<b>POWER</b>	110 kW (150 PS) @ 2,800 rpm (DIN NET)
<b>TORQUE</b>	375 Nm @ 1,600 - 2,800 rpm (DIN NET)
<b>INDUCTION</b>	Electronically controlled variable nozzle turbocharger with air-to-air intercooler
<b>FUEL INJECTION</b>	Direct injection high pressure common rail
<b>EMISSION CONTROL</b>	Cooled EGR with exhaust Diesel Particulate Diffuser (DPD). ADR 80/03 (Euro V / EEV) compliant



CLUTCH	
MT	<b>Type:</b> Single plate with auto adjusting hydraulic control and vacuum assistance
	<b>Clutch Plate Diameter:</b> 300 mm
	<b>Clutch lining area:</b> 847cm <sup>2</sup>
AMT	<b>Type:</b> Fully automated electro/hydraulically controlled wet clutch and torque converter (TC) with lock up

TRANSMISSION															
MT	<b>Description:</b> Isuzu MYY-6E														
	<b>Type:</b> 6 speed manual. Syncromesh on gears 1-6.														
	<b>Ratios:</b>														
	<table border="1"> <thead> <tr> <th>1ST</th> <th>2ND</th> <th>3RD</th> <th>4TH</th> <th>5TH</th> <th>6TH</th> <th>REV</th> </tr> </thead> <tbody> <tr> <td>5.979</td> <td>3.434</td> <td>2.04</td> <td>1.379</td> <td>1</td> <td>0.75</td> <td>5.701</td> </tr> </tbody> </table>	1ST	2ND	3RD	4TH	5TH	6TH	REV	5.979	3.434	2.04	1.379	1	0.75	5.701
1ST	2ND	3RD	4TH	5TH	6TH	REV									
5.979	3.434	2.04	1.379	1	0.75	5.701									
AMT	<b>Description:</b> Isuzu MYY-6E														
	<b>Type:</b> 6 speed with both fully automatic and clutchless manual operation modes														
	<b>Ratios:</b>														
	<table border="1"> <thead> <tr> <th>1ST</th> <th>2ND</th> <th>3RD</th> <th>4TH</th> <th>5TH</th> <th>6TH</th> <th>REV</th> </tr> </thead> <tbody> <tr> <td>5.979</td> <td>3.434</td> <td>2.04</td> <td>1.379</td> <td>1</td> <td>0.75</td> <td>5.701</td> </tr> </tbody> </table>	1ST	2ND	3RD	4TH	5TH	6TH	REV	5.979	3.434	2.04	1.379	1	0.75	5.701
1ST	2ND	3RD	4TH	5TH	6TH	REV									
5.979	3.434	2.04	1.379	1	0.75	5.701									
	<b>Power Take Off facility:</b> Provision on LHS of transmission case. Drive from counter gear.														

AXLES	
FRONT	<b>Description:</b> Isuzu FI026
	<b>Type:</b> Independent wishbone
	<b>Capacity:</b> 2600 kg
REAR	<b>Description:</b> Isuzu R050
	<b>Type:</b> Full floating banjo with four differential pinions
	<b>Capacity:</b> 5,000 kg
	<b>Ratio:</b> 4.777 (MT), 4.300 (AMT)

SUSPENSION	
FRONT	Coil springs
	Double acting hydraulic shock absorbers
REAR	Taper leaf main, taper leaf helper spring
	Double acting hydraulic shock absorbers

BRAKES	
TYPE	Ventilated disc/disc with dual circuit hydraulic control, vacuum assistance and electronic brake force distribution (EBD)
DIAMETER FRONT	293 mm
DIAMETER REAR	293 mm
PARK BRAKE	190 mm diameter drum mounted on rear of transmission
AUXILIARY BRAKE	Vacuum controlled exhaust brake

STEERING	
TYPE	Power assisted rack and pinion
TURNS LOCK TO LOCK	4.2
WHEEL LOCK ANGLE	38.00° (inside wheel) 35.75° (outside wheel)

WHEELS & TYRES	
FRONT	<b>Wheels:</b> 16 x 5.5J five stud steel
	<b>Tyres:</b> 205 / 85R16 117 / 115L Bridgestone Tubeless
	<b>Steer axle tyre rating:</b> 2,570 kg
REAR	<b>Wheels:</b> 16 x 5.5J five stud steel
	<b>Tyres:</b> 205 / 85R16 117 / 115L Bridgestone Tubeless
	<b>Drive axle tyre rating:</b> 4,860 kg
SPARE	1 frame mounted spare wheel and tyre assembly

CHASSIS FRAME	
TYPE	Cold rivetted ladder frame. SAPH440 steel sidemembers.
DIMENSIONS	<b>Side rail (mm):</b> 180 x 65 x 4.0 <b>Rear frame width (mm):</b> 700

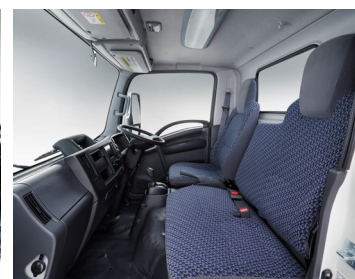
FUEL TANK	
TYPE	Frame mounted steel fuel tank
CAPACITY	75L (SWB), 100L (MWB)
FUEL CAP	Lockable

ELECTRICAL SYSTEM	
TYPE	24 volt
ALTERNATOR	90 amp
STARTER MOTOR	4.0 kW
BATTERY	2 x 80D26L (630 CCA) batteries connected in series

CABIN GENERAL FEATURES	
<b>ENGINE ACCESS</b>	Manual cab tilt to 45° with torsion bar assistance
<b>STEPS</b>	Heavy duty anti-slip steps
<b>DOORS</b>	90° opening internally reinforced front doors
<b>MIRRORS</b>	Cab mounted convex mirrors with left side under view mirror
<b>WIPERS</b>	Two speed windscreen wipers with intermittent wipe mode
<b>EXTERIOR LIGHTING</b>	Multi-reflector halogen headlamps
<b>AUDIBLE WARNING</b>	Reverse alarm
<b>GRILLE</b>	Body coloured
<b>SECURITY</b>	Central locking with remote keyless entry and immobiliser

INSTRUMENTATION	
<b>MULTI INFORMATION DISPLAY</b>	AEB, FCW, DWS, LDW, TMW systems activation alerts
	CTW indicator
	Vehicle systems status
	Low fuel level alert
	Fuel consumption information
	Service interval alerts
<b>GENERAL INSTRUMENTATION</b>	Hourmeter
	Adjustable vehicle speed warning
	Speedometer and tachometer
	Digital odometer with integrated dual tripmeters
	Engine coolant temperature and fuel level gauges

CABIN INTERIOR	
<b>SEATING</b>	Driver's bucket seat equipped with mechanical suspension and weight adjustment to 130kg
	Passenger bench seat with 2 seat capacity
<b>SEATBELTS</b>	3-point lap sash seatbelts in all outboard seating positions. Centre seat lap belts.
<b>STEERING COLUMN</b>	Tilt/telescopic adjustable
<b>ENTRY ASSIST GRIPS</b>	Door and roof pillar mounted
<b>DOOR WINDOWS</b>	Electric control
<b>STORAGE</b>	Overhead shelf
	Twin cup holders
	Front door pockets
<b>POWER OUTLET</b>	24V cigarette lighter
<b>AIRCONDITIONING</b>	Manual control
<b>INTERIOR LIGHTING</b>	Flourescent lamp



AUDIO VISUAL UNIT	
<b>SCREEN TYPE</b>	6.2" LCD with capacitive touch
<b>OPERATING SYSTEM</b>	Android
<b>RADIO</b>	AM / FM
<b>INTERNAL STORAGE CAPACITY</b>	32GB
<b>OTHER CAPABILITY</b>	Provision for external camera inputs, navigation, reverse sensors and tyre pressure monitoring



AM / FM

DRIVER CONTROLS	
<b>SAFETY SYSTEMS</b>	AEB on/off, DWS on/off/sensitivity adjust, LDW on/off/sensitivity adjust, TMW on/off, ESC&ASR on/off, headlamps and ALS on/off, HSA on/off/sensitivity adjust (MT only)
<b>ENGINE</b>	Idle speed control
	Cruise control DPD manual regeneration switch
<b>TRANSMISSION (AMT ONLY)</b>	Slow/fast gear engagement control, 1st gear start and normal/economy gear selection modes
	Gear selection control with P-R-N-D and sequential shift positions
<b>GENERAL CONTROLS</b>	Windscreen wipers (2 speed and intermittent modes), washers, exhaust brake, turn signals



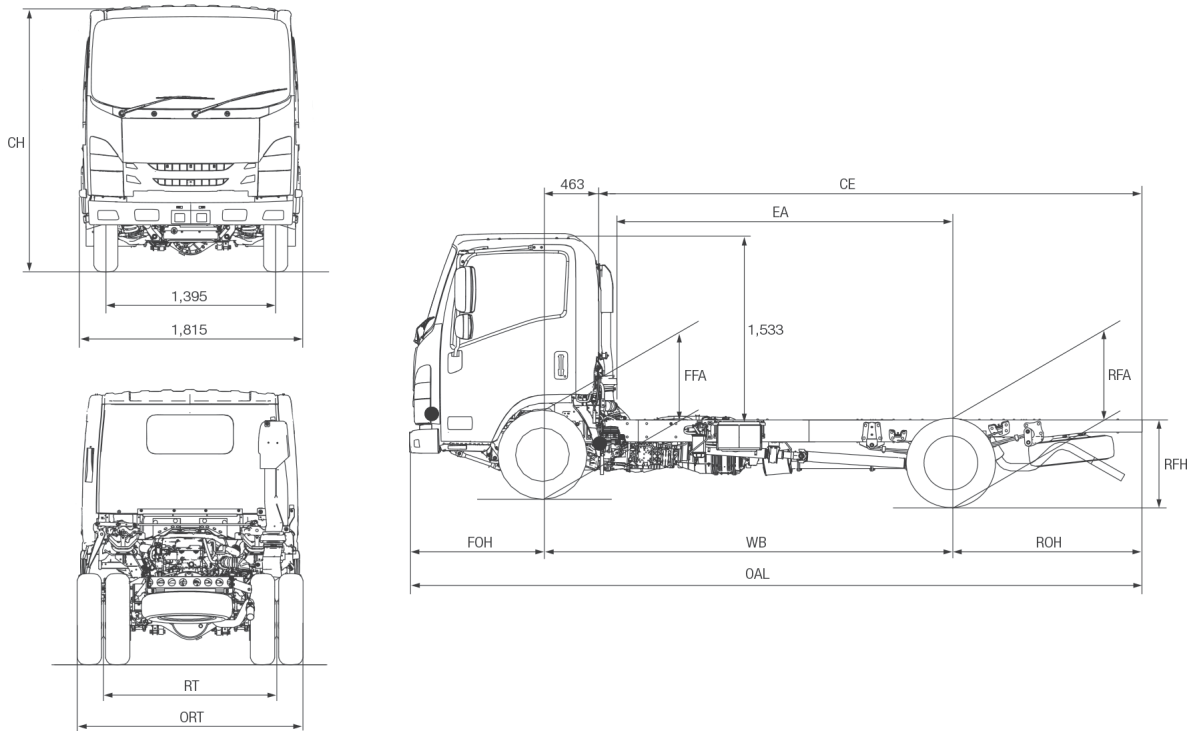
AMT model shown

WEIGHTS (kg)							
MODELS	RATINGS*		LOADING LIMIT* (at ground)		CAB CHASSIS WEIGHT #		
	GVM	GCM	FRONT	REAR	FRONT	REAR	TOTAL
NMR 250S	5,995	9,500	2,570	4,860	1,495	650	2,145
NMR 250S AMT	5,995	8,000	2,570	4,860	1,515	675	2,190
NMR 250M	5,995	9,500	2,570	4,860	1,495	715	2,210
NMR 250M AMT	5,995	8,000	2,570	4,860	1,515	740	2,255

\* Vehicle ratings and axle weight limits are subject to government regulatory requirements and weight distribution analysis. Consult your Isuzu dealer to select the correct vehicle for your specific application.

# Cab chassis only as supplied and including 10 litres of fuel.

DIMENSIONS (mm)													(m)
MODELS	WB	OAL	FOH	ROH	EA	CE	RT	ORT	CH	FFA (unladen)	RFA (unladen)	RFH (unladen)	TURNING CIRCLE kerb to kerb
NMR 250S	2,490	4,735	1,100	1,145	1,805	3,172	1,425	1,860	2,170	645	725	760	8.5
NMR 250M	3,350	6,025	1,100	1,575	2,665	4,462	1,425	1,860	2,170	635	715	755	11.5



PERFORMANCE (calculated - typical paved road)				
MODELS	GVM	GEARED SPEED* (top gear at peak power engine rpm)	LOW SPEED GRADEABILITY (lowest forward gear assuming no wheel slip)	ENGINE SPEED (top gear at 90 km/h)
NMR 250S	At 5,995 kg GVM	108 km/h @ 2,800 rpm	44%	2,343 rpm
NMR 250S AMT	At 5,995 kg GVM	120 km/h @ 2,800 rpm	40%	2,109 rpm
NMR 250M	At 5,995 kg GVM	108 km/h @ 2,800 rpm	44%	2,343 rpm
NMR 250M AMT	At 5,995 kg GVM	120 km/h @ 2,800 rpm	40%	2,109 rpm

\* Maximum speed achievable depends on vehicle frontal area as well as other factors. Consult your Isuzu dealer for more detailed information.

ORDER CODES	
MODELS	CODES
NMR 250S	NM0121
NMR 250S AMT	NM0221
NMR 250M	NM0321
NMR 250M AMT	NM0421

# Total 5 Year Warranty, including Base Warranty (36 months / 100,000kms) and Additional Warranty (24 months / 150,000kms), cover is 60 months or 250,000kms, whichever comes first. To qualify for Additional Warranty, all scheduled servicing during the Base and Additional Warranty periods (ie. the total 60 months) must be performed by an authorised Isuzu service dealer from the date of delivery to the first customer. If scheduled servicing is performed by unauthorized service providers, only the Base Warranty will apply. For VL24 NPR Tipper models, additional Warranty applies to the cab & chassis only. Tipper bodies are excluded from Additional Warranty. These are covered by Base Warranty only. Cab Perforation Corrosion is limited to 36 months / unlimited kms on all models. It is not included as part of Additional Warranty.

The information in this spec sheet was correct at time of printing, but all measurements, specifications and equipment are subject to change without notice. Some equipment may have been changed and/or is available at extra cost. Isuzu New Zealand (INZ) may make changes at any time without notice, in prices, colours, materials, equipment and models. INZ makes all reasonable attempts to ensure the availability of all vehicles and equipment. The information in this spec sheet is general in nature. Your Isuzu dealer can confirm all measurements, specifications and vehicle / equipment availability upon request. To the extent permitted by the law, INZ is not liable to any person as result of reliance on the content of this spec sheet.